

### Features

- Faceplate with lever handle and push-button diverter
- A single handle controls both on/off activation and temperature setting
- Pressure-balancing diaphragm technology maintains outlet temperature within +/-3°F during water pressure fluctuations
- Single-function 1.75 gpm (6.6 lpm) showerhead
- 1.75 gpm (6.6 lpm) maximum flow rate at 60 psi (4.14 bar)
- Box includes: Showerhead, faceplate with lever handle and diverter, shower arm with flange
- Coordinates with products in the Hint® collection

### Material

- Premium material construction for durability and reliability
- KOHLER® finishes resist corrosion and tarnishing

### Installation

- Wall-mount
- Trim only; requires K-11748-K or K-11748-KS Rite-Temp pressure-balancing valve (sold separately)

### Required Products/Accessories

K-11748 Series Rite-Temp® Valves

### Recommended Products/Accessories

K-23723 Faucet cleaner

### Optional Products/Accessories

1204798 Deep Rough-in Kit for Rite-Temp Valve



### Codes/Standards


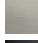


ASME A112.18.1/CSA B125.1  
DOE - Energy Policy Act 1992  
EPA WaterSense®  
California Energy Commission (CEC)

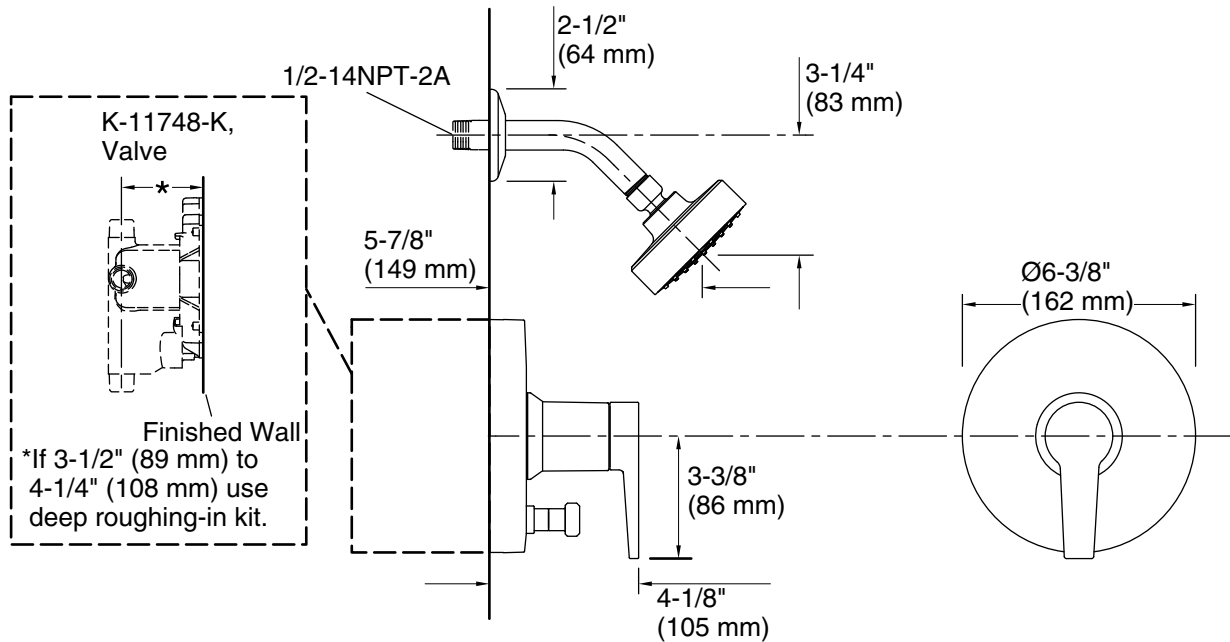
### KOHLER® Faucet Lifetime Limited Warranty

See website for detailed warranty information.

### Available Colors/Finishes

*Color tiles intended for reference only.*

Color	Code	Description
	CP	Polished Chrome
	BN	Vibrant® Brushed Nickel
	BL	Matte Black
	2MB	Vibrant® Brushed Moderne Brass



### Technical Information

All product dimensions are nominal.

Drain included: No

### Handshower:

Rated maximum flow: 0 gal/min (0 l/min)

### Showerhead/Body Spray:

Rated maximum flow: 1.75 gal/min (6.6 l/min)

### Notes

Avoid cross-flow conditions. Do not install a shut-off device on either valve outlet.